



TKR-5001 & TKR-5101/TKR-5001-116 & TKR-5101-116 Pneumatic Room Thermostat REstat Kit Installation Instructions

APPLICATION

This kit contains hardware to facilitate field replacement of pneumatic thermostats.

THIS KIT CONTAINS:

Quantity	Description
----------	-------------

- | | |
|---------|---|
| One (1) | TK-5001 or TK-5101 with °F setpoint dial and °F thermometer OR |
| One (1) | TK-5001-116 or TK-5101-116 with °C setpoint dial and °C thermometer |

To Convert Thermostat Cover Appearance

- One (1) Blank cover insert
- One (1) Cover insert with setpoint cutout

To Connect Thermostat Tubing to Field Tubing

- One (1) .0075 restriction tee for 1/4" plastic tubing
- One (1) 1/4" x 5/32" barbed fitting to connect 5/32" thermostat tubing to field tubing
- One (1) 5/32" x 5/32" barbed fitting to connect 5/32" thermostat tubing to field tubing
- One (1) 1/4" O.D. x 2" Tygon tube to connect 5/32" thermostat tube to field tubing
- One (1) 1/4" x 1/4" compression to tubing fitting

To Secure Cover to Base

- One (1) 5/64" Allen head screw for securing cover to thermostat base
- One (1) 5/64" Allen head wrench

Note: Not all hardware is required in each installation.

PRE-INSTALLATION

Inspection

Visually inspect the carton for damage. If damaged, notify the appropriate carrier immediately. If undamaged, open the carton and visually inspect the device for obvious physical defects. Return damaged or defective products.

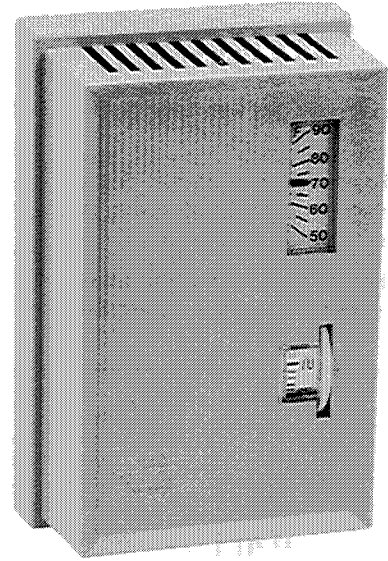
Required Installation Items

- Tools:
 - Appropriate screwdriver for mounting screws (not provided)
 - Allen wrench for 5/64" Allen head cover screw (provided)
 - Needle nose pliers for knurled dial removal (not provided)
- Appropriate accessories
- Mounting screws and appropriate fittings

INSTALLATION

CAUTION

1. Installer must be a qualified, experienced technician.
 2. Make all connections in accordance with the instructions on the accompanying General Instruction sheet.
-
1. Remove old thermostat and wall plate as necessary to obtain access to Main and Branch lines.



TK-5001 or TK-5101 °F shown

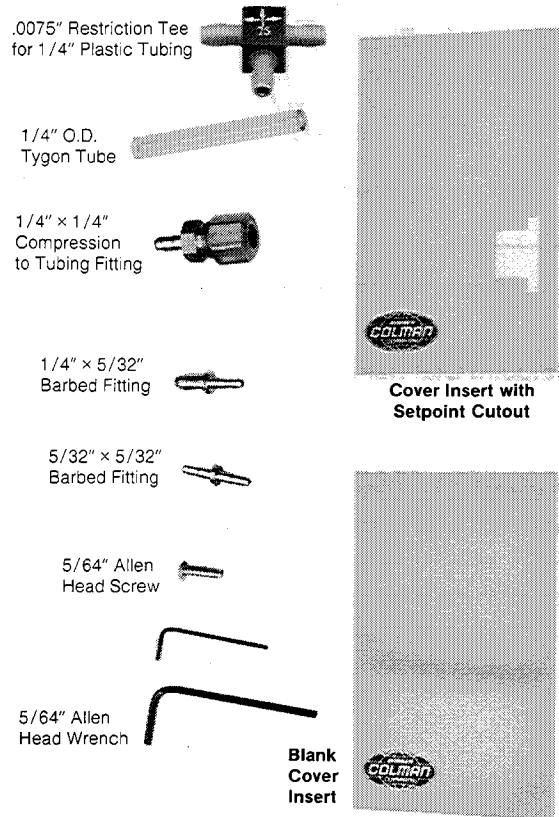


Figure 1. Part Identification

2. Select appropriate hardware to facilitate field connections. Barber-Colman AT-536 accessory kit may be used to improve appearance.
3. Refer to TK-5001/TK-5101 General Instruction sheet (F-13531), included in package, for thermostat mounting and connections.

OPTIONS

Tamper Resistant Cover

Replace slotted cover screw with Allen screw.

Concealed Setpoint

Knurled Dial Removal (See Figure 2)

1. Remove thermostat cover.
2. Secure the setpoint dial with hand so that the dial will not rotate.
3. Place needle nose pliers at knurled ring of the setpoint dial at the points where the knurled ring is attached to the setpoint dial.
4. Twist the pliers at each knurled ring attachment point until the entire knurled ring of the setpoint dial is removed.

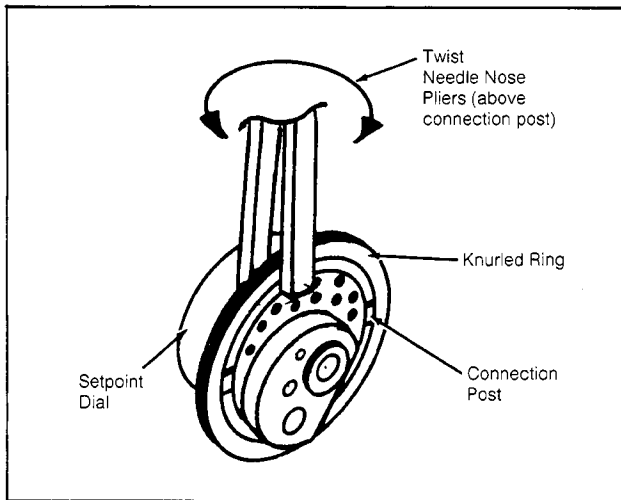


Figure 2. Knurled Dial Removal

Limit Setpoint Dial Range

Dial Stop Pin Insertion — Included with Mounting Plate (See Figure 3)

1. Remove thermostat cover.
2. Secure the setpoint dial with hand so that the dial will not rotate.
3. Place a dial stop pin in the jaws of a needle nose pliers.
4. Insert the dial stop pin in the appropriate hole on either (or both) side(s) of the setpoint dial to restrict dial rotation.

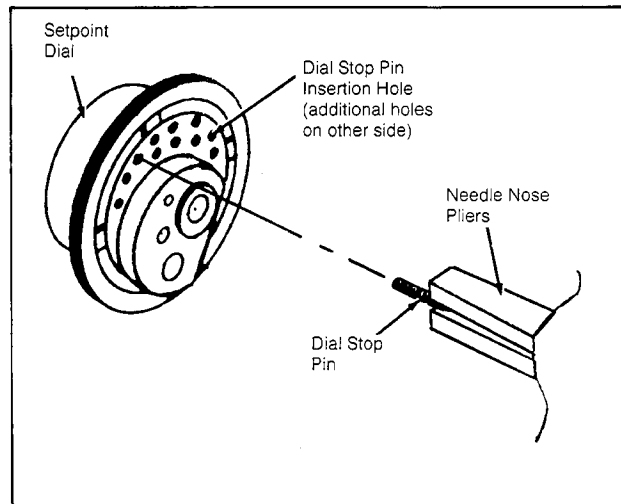


Figure 3. Dial Stop Pin Insertion

Cover Insert Installation (See Figure 4)

1. Select appropriate cover insert.

NOTE

If blank insert is used, the knurled ring must be removed from the setpoint dial. See Knurled Dial Removal above. Also, remove dial window by sliding and/or pressing window from front of cover.

2. Remove protective backing and protective skin on face of cover insert.
3. Press insert uniformly on thermostat with Barber-Colman logo in lower left-hand corner.

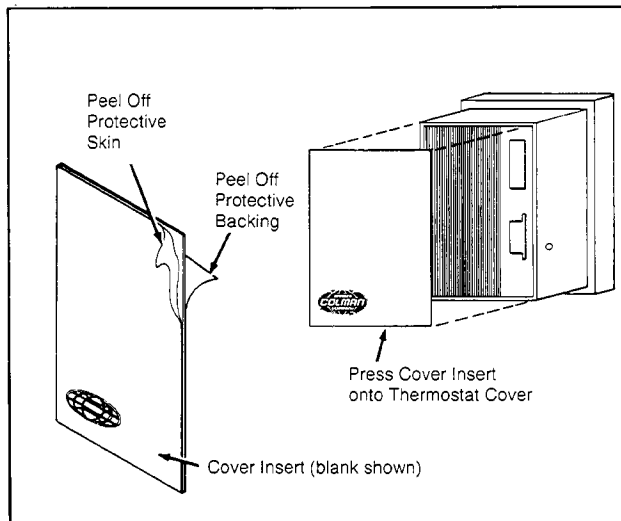


Figure 4. Cover Insert Installation